

6 P		6 POLI / POLES - 1000 rpm - V 230/50 Hz										Alta coppia di spunto High starting torque ME - MA - MC					Autofrenante in D.C. Brake motor in D.C.				Autofrenante serie S in D.C. S series safety brake in D.C.				Autofrenante positivo in D.C. Positive brake in D.C.							
TIPO TYPE	Potenza Power		rpm	In 230 V A	Rend% Eff.%	Cos(φ) p.f.	Ia In	Ca Cn	Cn Nm	Capacità Capacity	J kgm ²	Peso Weight	Ca Cn	Ia In	Cmax Cn	Capacità di spunto Starting capacity		TIPO TYPE	CF Nm	Cicli/h Cycles/h	PB Watt	Peso Weight Kg	CF Nm	Cicli/h Cycles/h	PB VA	Peso Weight Kg	CF Nm	Cicli/h Cycles/h	PB Watt	Peso Weight Kg		
	kw	hp														ME	MA-MC														Nm	Ωo
M56B	0,03	0,05	910	0,8	28	0,80	1,3	0,8	0,37	8	0,00020	3,3	1,9	1,5	1,7	10	-	AM56B	1	21500	12	5,0	-	-	-	-	-	-	-	-	-	-
M63B	0,09	0,12	910	1,1	39	0,99	1,5	0,9	1,00	10	0,00025	4,3	2,2	2,3	1,8	10	-	AM63B	4	18000	20	6,0	3	18000	18	6,0	7,5	18000	11,5	4,65		
M63C	0,12	0,16	900	1,4	43	0,99	1,3	1,0	1,30	10	0,00040	4,6	2,1	2,1	1,9	10	63+80	AM63C	4	18000	20	6,0	3	18000	18	6,0	7,5	18000	11,5	4,95		
M71B	0,18	0,25	900	2,1	45	0,90	1,9	0,9	2,00	14	0,00080	6,7	2,5	2,5	2,0	20	63+80	AM71B	4	25000	20	9,0	4	25000	18	8,0	7,5	25000	11,5	7,05		
M71C	0,25	0,35	860	2,4	50,5	0,97	1,7	0,8	2,80	16	0,00010	7,6	1,9	2,2	2,1	20	63+80	AM71C	4	24000	20	9,0	4	24000	18	9,0	7,5	24000	11,5	7,95		
M80B	0,37	0,50	900	3,2	57,5	0,95	2,1	0,7	4,00	14	0,00250	9,2	1,9	2,5	2,2	20	63+80	AM80B	8	16000	25	11,0	9	16000	25	12,0	15,0	16000	16,0	9,80		
M80C	0,45	0,60	850	3,8	55,4	0,96	1,7	0,6	5,20	16	0,00260	11,0	1,7	2,4	2,0	30	63+80	AM80C	8	15000	25	14,0	9	15000	25	13,0	15,0	15000	16,0	11,60		
M90L	0,55	0,75	920	5,0	59,8	0,84	2,4	0,9	5,70	25	0,00450	14,0	2,5	2,8	2,3	30	63+80	AM90L	16	13500	30	19,0	10	13500	25	17,0	30,0	13500	21,0	14,60		
M90LB	0,75	1,00	890	5,9	62,8	0,92	2,2	0,7	8,10	30	0,00500	16,0	2,0	2,5	2,3	40	63+80	AM90LB	16	13000	30	24,0	10	13000	25	19,0	30,0	13000	21,0	16,60		
M100B	1,10	1,50	930	8,3	68,6	0,91	2,5	0,5	11,60	40	0,00900	22,0	1,8	2,8	2,4	50	63+80	AM100B	32	7000	40	28,5	12	7000	35	26,5	60,0	7000	28,0	22,90		
M100BL	1,50	2,00	890	10,7	67,1	0,96	2,0	0,5	16,30	50	0,00950	24,0	1,5	2,3	2,3	50	63+80	AM100BL	32	7000	40	30,5	12	7000	35	28,5	60,0	7000	28,0	24,90		

Motori asincroni monofase doppia polarità serie MD
MD Series two-speed single-phase induction motors

2/4 P		2/4 POLI / POLES - 3000/1500 rpm - V 230/50 Hz										Alta coppia di spunto High starting torque ME - MA - MC					Autofrenante in D.C. Brake motor in D.C.				Autofrenante serie S in D.C. S series safety brake in D.C.				Autofrenante positivo in D.C. Positive brake in D.C.			
TIPO TYPE	Potenza Power		rpm	In 230 V A	Ia In	Ca Cn	Cn Nm	Capacità Capacity	Peso Weight	Ca Cn	Ia In	Cmax Cn	Capacità di spunto Starting capacity		TIPO TYPE	CF Nm	Cicli/h Cycles/h	PB Watt	Peso Weight Kg	CF Nm	Cicli/h Cycles/h	PB VA	Peso Weight Kg	CF Nm	Cicli/h Cycles/h	PB Watt	Peso Weight Kg	
	kw	hp											ME	MA-MC-MD														Nm
MD71C	0,37/0,25	0,5/0,35	2800/1400	3,9/2,4	2,8/3,2	0,7/0,6	1,2/1,7	16/10	7,5	1,7/2	3/2	2/2	20	63+80	AP71C	4	5300	20	9	4	5300	18	9	7,5	5300	11,5	7,85	
MD80C	0,75/0,55	1/0,75	2790/1410	6/5	3/3,4	0,8/0,7	2,6/3,7	25/16	11,0	2/2	3,5/2,5	2,1/2,3	30	63+80	AP80C	8	5100	25	14	9	5100	25	14	15,0	5100	16,0	11,60	
MD90S	1/0,7	1,4/1	2850/1420	8/6	2,8/3,2	0,8/0,8	3,4/4,7	30	13,0	2,1/2	4/3	2,4/2,6	40	63+80	AP90S	16	4000	30	18	10	4000	25	15	30,0	4000	21,0	13,60	
MD90LB	1,5/1,1	2/1,5	2830/1400	11/9	3/3	0,7/0,7	5/7,5	35	16,0	2,2/2,3	4/3,5	2/2,1	40	63+80	AP90LB	16	3800	30	21	10	3800	25	18	30,0	3800	21,0	16,60	
MD100B	1,8/1,5	2,5/2	2840/1410	13/11	3,3/3,2	0,6/0,6	6/10	50	22,0	2,3/2,5	5,5/4	2,5/2,7	50	100+130	AP100B	32	2500	40	29	12	2500	35	26	60,0	2500	28,0	22,90	

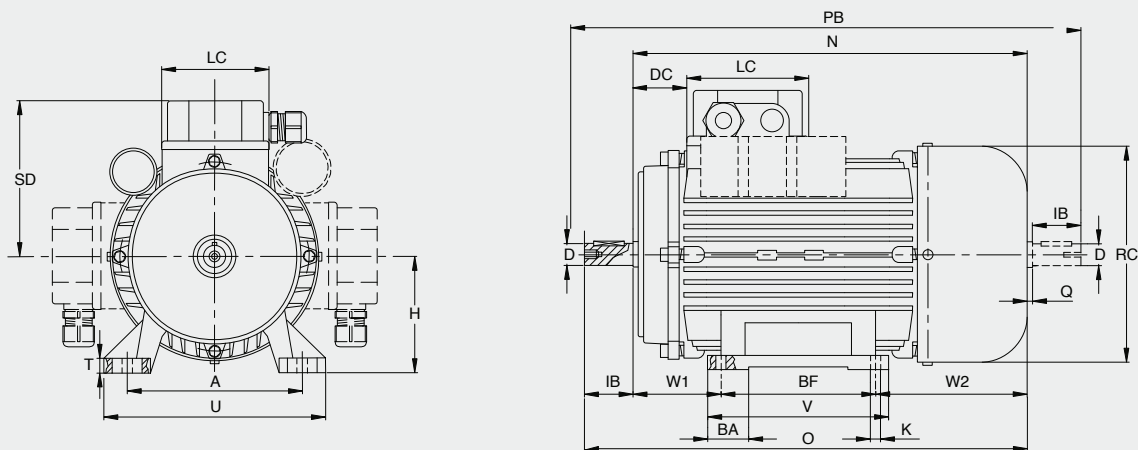
Motori asincroni monofase serie M - ME - MA - MC - MD - CD
 Motori asincroni monofase autofrenanti serie AM - AE - AA - AP - CM - CP
 M - ME - MA - MC - MD - CD series single-phase induction motors
 AM - AE - AA - AP - CM - CP series single-phase induction brake motors

Dimensioni motori monofase e monofase ad alta coppia di spunto
serie M - ME - MD - MV - MC* - CD* - CV*

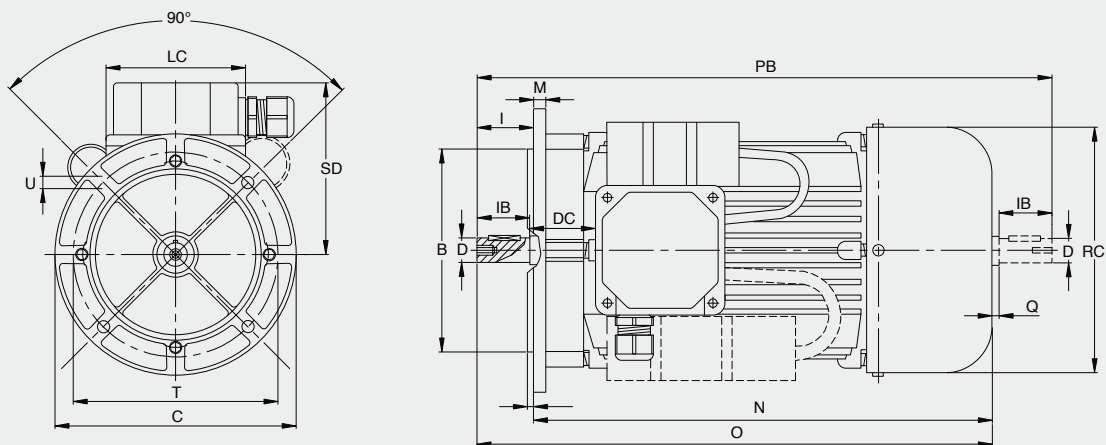
Dimensions of single-phase motors and single-phase motors with high locked rotor torque series M - ME - MD - MV - MC* - CD* - CV*

In generale dalla grandezza 71 ÷ 200 piedi riportati / In generale dalla grandezza 71 ÷ 200 piedi riportati

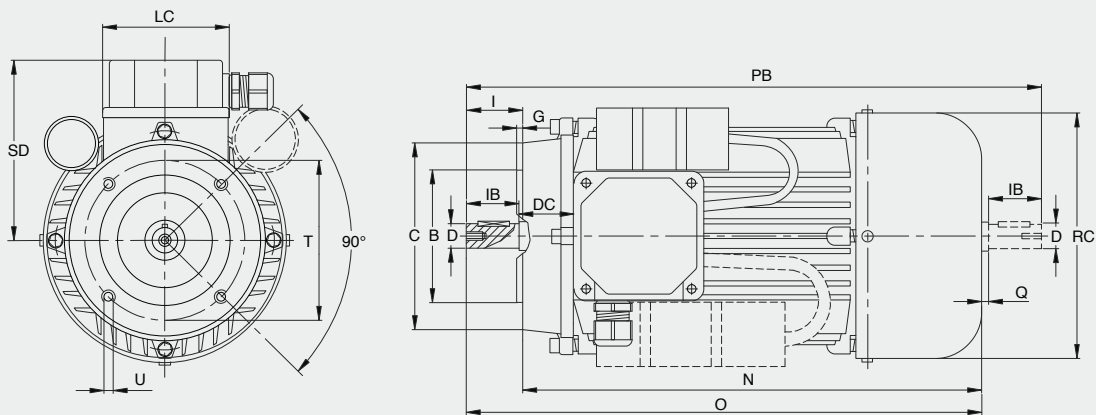
B3



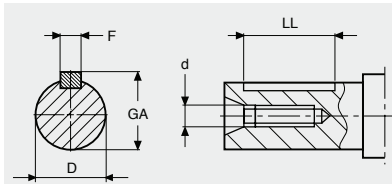
B5



B14



Tab. 37



Grand. / Size	50	56	63	71	80	90	100	112	132	160	180	200
F	3	3	4	5	6	8	8	8	10	12	14	16
D	9	9	11	14	19	24	28	28	38	42	48	55
GA	10,2	10,2	12,5	16,0	21,5	27,0	31,0	31,0	41,0	45,0	52,5	59,0
d		M4	M4	M5	M6	M8	M10	M10	M12	M16	M16	M20
LL	15	15	15	20	30	40	50	50	60	100	90	100

Grand. Size	Dimensioni / Dimensions																			B3	
	D	IB	A	BF	K	H	W1	W2	N	O	PG	RC	SD	TP	U	V	PB	Q	LC	DC	BA
56	9	20	90	71	6	56	36	61,0	168,0	188,0	M16	110	95	10	108	90	211,0	3	75	24	25
63	11	23	100	80	7	63	40	70,5	190,5	213,5	M16	123	100	10	120	105	239,5	3	75	28	27
71	14	30	112	90	8	71	48	80,0	218,0	248,0	M16	137	109	11	136	108	281,0	3	75	36	24
80	19	40	125	100	9	80	54	88,0	242,0	282,0	M20	156	123	13/14	154	125	326,0	4	91	35	30
90S	24	50	140	100	10	90	59	96,0	255,0	305,0	M20	176	128	15	170	130	358,0	3	91	40	30
90L	24	50	140	125	10	90	59	96,0	280,0	330,0	M20	176	128	13/15	170	155	383,0	3	91	40	32
100	28	60	160	140	13	100	63	109,0	312,0	372,0	M20	194	140	15/16	192	175	437,0	5	91	45	32

Grand. Size	Dimensioni / Dimensions																	B5	
	D	I	B	C	T	G	M	N	O	PG	RC	SD	U	PB	Q	LC	DC	IB	
56	9	20	80	120	100	2,5	8,5	168,0	188,0	M16	110	95	7,0	211,0	3	75	24	20	
63	11	23	95	140	115	2,5	10,0	190,5	213,5	M16	123	100	9,5	239,5	3	75	28	23	
71	14	30	110	160	130	3,0	10,0	218,0	248,0	M16	137	109	9,5	281,0	3	75	36	30	
80	19	40	130	200	165	3,0	11,0	242,0	282,0	M20	156	123	12,0	326,0	4	91	35	40	
90S	24	50	130	200	165	3,5	10,0	255,0	305,0	M20	176	128	12,0	358,0	3	91	40	50	
90L	24	50	130	200	165	3,5	10,0	280,0	330,0	M20	176	128	12,0	383,0	3	91	40	50	
100	28	60	180	250	215	4,0	14,0	312,0	372,0	M20	194	140	14,5	437,0	5	91	45	60	

Grand. Size	Dimensioni / Dimensions																	B14	
	D	I	B	C	T	G	N	O	PG	RC	SD	U	PB	Q	LC	DC	IB		
50A	9	20	50	80	65	2,5	125,0	145,0	M16	98	77	M5	-	-	56	20	20		
50B	9	20	50	80	65	2,5	142,0	162,0	M16	98	77	M5	-	-	64	23	20		
56	9	20	50	80	65	2,5	168,0	188,0	M16	110	95	M5	211,0	3	75	24	20		
63	11	23	60	90	75	2,5	190,5	213,5	M16	123	100	M5	239,5	3	75	28	23		
71	14	30	70	105	85	3,0	218,0	248,0	M16	137	109	M6	281,0	3	75	36	30		
80	19	40	80	125	100	3,0	242,0	282,0	M20	156	123	M6	326,0	4	91	35	40		
90S	24	50	95	140	115	3,0	255,0	305,0	M20	176	128	M8	358,0	3	91	40	50		
90L	24	50	95	140	115	3,0	280,0	330,0	M20	176	128	M8	383,0	3	91	40	50		
100	28	60	110	160	130	4,0	312,0	372,0	M20	194	140	M8	437,0	5	91	45	60		

* quote O/N - contattare ufficio tecnico

* value O/N - get in touch with the Technical Office